

BRANCH CONNECTORS – DPH 7 FOR CONNECTION OF TWO CATENARY WIRES

KEY FEATURES

- No Tightening Torque Problem
- Designed for Catenary System 1.5 kV DC or 25 kV AC
- Good Electrical Contact
- Reduced Weight
- Crimp Indent Mark Painted in Black
- L Dimension can be Adapted on Request

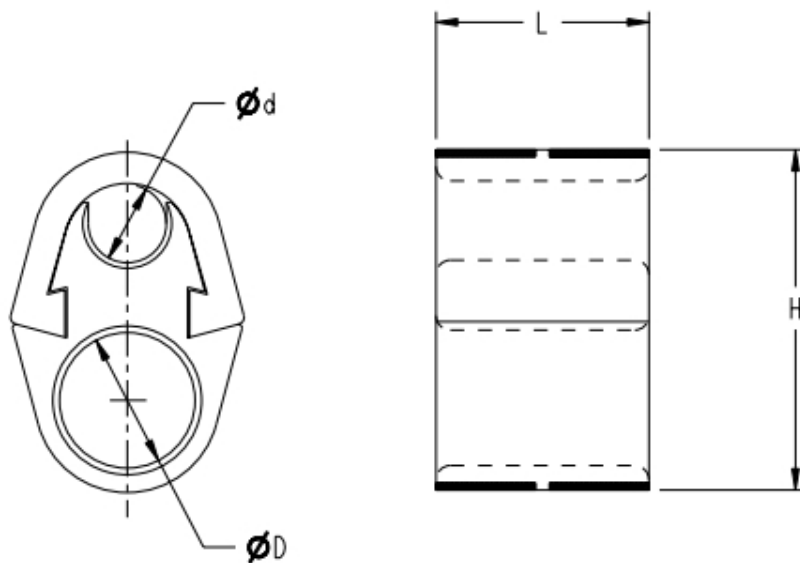
TE Connectivity's (TE) Branch Connector type DPH 7 are crimped connectors designed to make mechanical and electrical connections between one end of a bare copper conductor and an intermediate point on a main bare copper conductor.

Crimping technology used allows to get high electrical and mechanical performances.

DPH 7 branch connectors are SNCF RESEAU approved and complies with NF F 42-031.

Customers can count on consistent, high quality products, driven by TE's proven innovation and backed by our extraordinary customer support.

BRANCH CONNECTORS - DPH 7



PRODUCT SELECTION INFORMATION

Description	TCPN	SNCF RESEAU Symbol	Main Conductor	Branch Cable	Tools	Dimensions (mm)			
						H	L	D	d
DPH7 65.4/26 SV42	2107582-1		Carrier Bz 65.4 mm ²	Annealed Cu 26 mm ²	SV 42	47.8	30	8	11
DPH7 65.4/104.5-145.8	708966-1	7.880.4022	Carrier Bz 65.4 mm ²	Annealed Cu 104.5 mm ² or hard Cu 145.8 mm ²	SV 42	47.8	30	16.3	11
DPH7 65.4/147-164	708966-2	7.880.4023	Carrier Bz 65.4 mm ²	Annealed Cu 147 mm ² or 164 mm ²	SV 42	47.8	30	19.1	11
DPH7 116.2/147-164	789475-1	7.880.4024	Carrier Bz 116.2 mm ²	Annealed Cu 147 mm ² or 164 mm ²	SV 42	47.8	30	19.1	15

Learn more: [TE.com/energy](https://www.te-connectivity.com/energy)

© 2022 TE Connectivity. All Rights Reserved. EPP-2474-DDS-3/22

TE, TE Connectivity, TE connectivity (logo), EVERY CONNECTION COUNTS are trademarks owned or licensed by TE Connectivity. Other logos, product and company names mentioned herein may be trademarks of their respective owners. While TE has made every reasonable effort to ensure the accuracy of the information in this brochure, TE does not guarantee that it is error-free, nor does TE make any other representation, warranty or guarantee that the information is accurate, correct, reliable or current. TE reserves the right to make any adjustments to the information contained herein at any time without notice. TE Connectivity's obligations shall only be as set forth in TE Connectivity's Standard Terms and Conditions of Sale for this product and in no case will TE Connectivity be liable for any incidental, indirect or consequential damages arising out of the sale, resale, use or misuse of the product. TE expressly disclaims all implied warranties regarding the information contained herein, including, but not limited to, any implied warranties of merchantability or fitness for a particular purpose. The dimensions, specifications, and/or information contained herein are for reference purposes only and are subject to change without notice. Consult TE for the latest dimensions, specifications, and/or information. Users of TE Connectivity products should make their own evaluation to determine the suitability of each such product for the specific application.

Connect with us:

[TE.com/energy-contact](https://www.te-connectivity.com/energy-contact)